



JAB always care for your **success**



**JAB CO.,LTD.**

**Head office & Factory**

30, MTV 27-ro, Siheung-si Gyeonggi-do, Korea

**Tel** +82-32-811-2032

**Fax** +82-32-811-2038

**E-mail** jabkor@jabkor.co.kr

**Web** www.jabkor.co.kr

**Europe Office**

Komeetweg 8, haven M 203 , 4782 SG Moerdijk , Holland

**Tel** +31-654-652-116

**E-mail** jabeurope@jabkor.co.kr **Web** www.jabkor.co.kr

Hydraulic hammers

**JBN & JB SERIES**

*Join us Business  
Accept us Price  
Believe us Quality*



www.jabkor.co.kr



# COMPANY OVERVIEW

## GREAT BRAND, GREAT TOOLS JAB

JAB has a proud tradition of being a global leader in the development of a wide range of innovative hydraulic products used in a variety of industries and applications throughout the world. As a proud member of JAB, a 20 year old company committed to the manufacture and distribution of quality tools for the professional, industrial, and consumer, we at JAB are dedicated to providing our customers with innovative customer-driven product designs, world class quality, unmatched product support, and superior value

## GLOBAL REPRESENTATION

JAB produces an extensive line of products for use in construction, demolition, scrap processing, recycling, utilities, municipalities, railroads, industry, landscaping, underwater, construction, and specialty trades. JAB Tools has sales offices and distributors throughout North America, Central America, South America, Europe, Asia, Australia, and the Middle East

## OUR MISSION

- We provide reliable attachments and excellent after sales.
- Our commitment is to establish and maintain long term business relationships.



# ABOUT US



## Good know-how Heat treatment

- Customized Heat treatment of product characteristics
- Over 20 years experience in Heat treatment
- Issued Heat treatment record document
- Up-To-Date Heat treatment facilities



## Purchasing high quality steel material

- Use Korean special steel
- Periodic material analysis & Test by official institutes



## Perfect CNC machining

- Over 20 years experience in processing
- Up-To-Date Facilities & Processing automation



## Perfect quality control according to own designed drawing



# JAB Hydraulic Breaker Cross-Section Diagram

## Internal Valve Type

JAB Co., Ltd. says its new JBN & JB Series breaker features nitrogen gas-assisted operation for improved efficiency. Our soundproofing system is designed to prevent any damage caused by operating vibration which could otherwise be detrimental to both carrier and breaker itself.

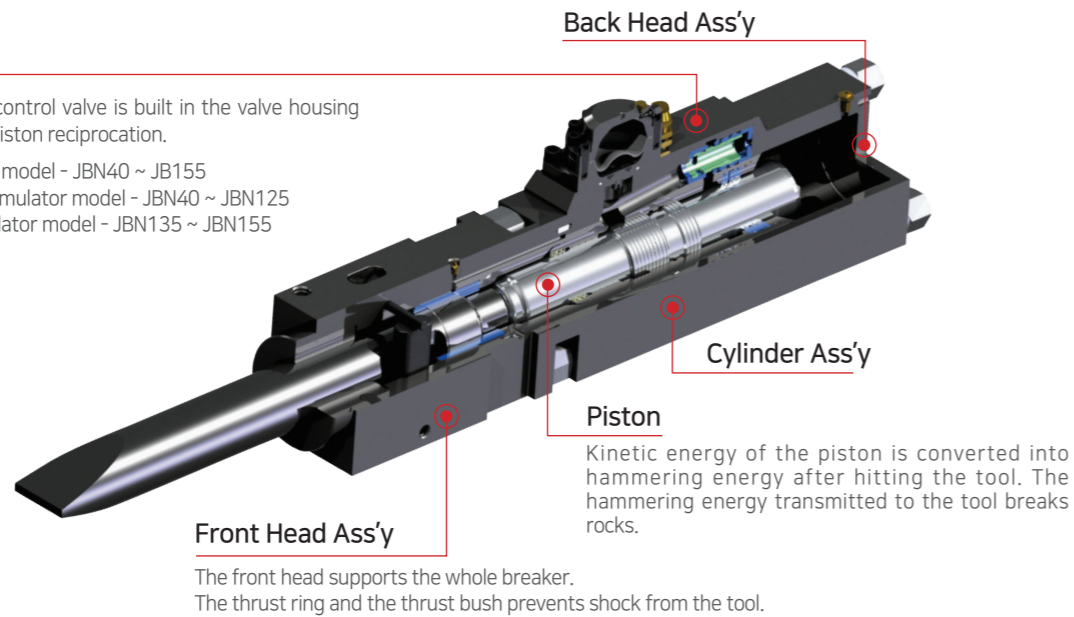
### Special Features

- Box typed housing design
- Soundproofing system for downtown area under construction
- Polyurethane buffers reduces noise and absorbs vibration
- MC Nylon plates are designed for fit tight on surrounded four sides
- Low recoil movements for operator's safe condition
- High impact energy & Low noise level
- High performance ability & Low maintenance cost
- Total 22 models of silenced type
- Option item : Auto lubricant system

### Valve Ass'y

The cylindrical control valve is built in the valve housing and it controls piston reciprocation.

- Internal valve model - JBN40 ~ JB155
- Without accumulator model - JBN40 ~ JBN125
- With accumulator model - JBN135 ~ JBN155



## External Valve Type

Upper side of housing cover is stronger than other hammers with additional steel bars. Also, lower side of housing cover is reinforced for wear resistance.

### Special Features

- Easy maintenance for valve system (External valve type)
- High efficient work by optimized control valve
- Low maintenance cost by easy management
- High impact energy with nitrogen gas-assisted operation
- High performance ability with anti-wear resistances
- Option : Auto lubricant system

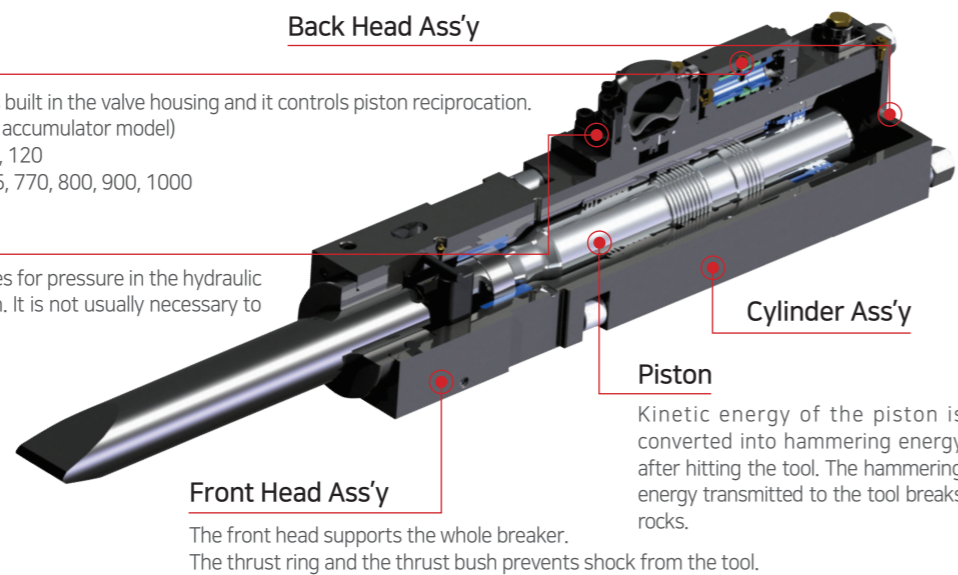
### Valve Ass'y

The cylindrical control valve is built in the valve housing and it controls piston reciprocation.

- ※ External valve model (With accumulator model)
- JB series - JB 70, 80, 110, 120
- JBN series - JBN 645, 745, 770, 800, 900, 1000

### Accumulator Ass'y

The accumulator compensates for pressure in the hydraulic circuit and prevents pulsation. It is not usually necessary to refill. Use N2-gas only.



# JBN SERIES

## Internal Valve Type



Model		Unit	JBN40	JBN45	JBN53	JBN60	JBN70	JBN75	JBN90	JBN100
Description	Silenced	Kg	115	125	180	250	310	380	570	890
	Open Top	lb	254	276	397	551	683	838	1,257	1,962
Operating Weight (Tool + M / C)	Silenced	Kg	110	120	160	225	324	380	613	850
	Open Top	lb	243	265	353	496	714	838	1,351	1,874
Main Body Weight		Kg	50	60	86	112	156	192	266	434
Tool (Mol type)	Weight	Kg	4	6.0	9	12	20	25	41	59
	Diameter	mm	40	45	53	60	70	75	90	100
Operating Pressure (Breaker)	bar		80 ~ 100	80 ~ 100	90 ~ 120	100 ~ 130	95 ~ 130	100 ~ 140	130 ~ 160	150 ~ 170
	psi		1,160 ~ 1,450	1,160 ~ 1,450	1,305 ~ 1,740	1,450 ~ 1,885	1,377 ~ 1,885	1,450 ~ 2,030	1,885 ~ 2,320	2,175 ~ 2,465
Setting Pressure (Machine)	bar		150	150	150	160	170	180	190	200
	psi		2,175	2,175	2,175	2,320	2,465	2,610	2,755	2,900
Impact Rate	bpm		800 ~ 1,400	700 ~ 1,200	600 ~ 1,100	500 ~ 1,000	450 ~ 1,000	475 ~ 950	480 ~ 850	450 ~ 780
Accumulator Pressure (N2-Gas)	bar / psi		NONE ACCUMULATOR							
Back Head Pressure (N2-Gas)	bar / psi		14 / 203	14 / 203	16 / 232	16 / 232	16 / 232	16 / 232	16 / 232	16 / 232
Required Oil Flow	l / min		15 ~ 30	20 ~ 35	25 ~ 50	30 ~ 60	34 ~ 60	40 ~ 80	45 ~ 85	85 ~ 110
	g / min		3.9 ~ 7.9	5.3 ~ 9.2	6.6 ~ 13.2	7.9 ~ 15.8	8.9 ~ 15.8	10.5 ~ 21.1	11.8 ~ 22.4	22.4 ~ 29
Suitable Excavator	Min	ton	0.8	1.2	2.5	3	3.5	6	6	10
	Max	ton	2.5	3	4.5	5.5	7	9	13	17
	Suitable	ton	1	2	3	5	6	7	10	14

※ Above specifications are subject to change without prior notice for the improvement in quality.

# JBN SERIES

## Internal Valve Type



# JB SERIES

## External Valve Type



### MID WEIGHT BREAKERS Internal Valve type (With Accumulator)

Description		Model	Unit	JBN125	JBN135	JBN140	JBN155
Operating Weight (Tool + M / C)	Silenced		Kg	1,200	1,700	1,930	2,400
			lb	2,646	3,748	4,255	5,291
	Open Top		Kg	1,280	1,800	2,020	2,640
			lb	2,822	3,968	4,453	5,820
Main Body Weight			Kg	520	682	812	1,114
Tool (MoiI type)	Weight		Kg	97	125	129	193
	Diameter		mm	125	135	140	155
Operating Pressure (Breaker)			bar	150 ~ 170	160 ~ 180	160 ~ 180	160 ~ 180
			psi	2,175 ~ 2,465	2,320 ~ 2,610	2,320 ~ 2,610	2,320 ~ 2,610
Setting Pressure (Machine)			bar	200	210	210	220
			psi	2,900	3,045	3,045	3,190
Impact Rate			bpm	420 ~ 730	350 ~ 680	280 ~ 550	280 ~ 550
Accumulator Pressure (N2-Gas)			bar / psi	NONE ACCUMULATOR		60 / 870	
Back Head Pressure (N2-Gas)			bar / psi	16 / 232	16 / 232	16 / 232	16 / 232
Required Oil Flow			l / min	100 ~ 120	120 ~ 150	120 ~ 150	160 ~ 240
			g / min	26.4 ~ 31.6	31.6 ~ 39.6	31.6 ~ 39.6	42.2 ~ 63.3
Suitable Excavator	Min		ton	15	18	20	28
	Max		ton	20	28	30	40
	Suitable		ton	17	20	24	34

※ Above specifications are subject to change without prior notice for the improvement in quality.

### MID WEIGHT BREAKERS External Valve type (With Accumulator)

Description		Model	Unit	JB70	JB80	JB110	JB120
Operating Weight (Tool + M / C)	Silenced		Kg	1,120	1,750	2,200	2,800
			lb	2,469	3,858	4,850	6,173
	Open Top		Kg	1,280	1,820	2,390	2,950
			lb	2,822	4,012	5,269	6,504
Main Body Weight			Kg	494	690	889	1,228
Tool (MoiI type)	Weight		Kg	88	120	162	213
	Diameter		mm	120	135	150	160
Operating Pressure (Breaker)			bar	150 ~ 170	160 ~ 180	160 ~ 180	160 ~ 180
			psi	2,175 ~ 2,465	2,320 ~ 2,610	2,320 ~ 2,610	2,320 ~ 2,610
Setting Pressure (Machine)			bar	200	210	220	220
			psi	2,900	3,045	3,190	3,190
Impact Rate			bpm	400 ~ 750	350 ~ 700	300 ~ 650	260 ~ 450
Accumulator Pressure (N2-Gas)			bar / psi	60 / 870			
Back Head Pressure (N2-Gas)			bar / psi	6 / 87	6 / 87	6 / 87	6 / 87
Required Oil Flow			l / min	90 ~ 120	125 ~ 150	150 ~ 190	180 ~ 250
			g / min	23.7 ~ 31.6	33 ~ 39.6	39.6 ~ 50.1	47.5 ~ 66
Suitable Excavator	Min		ton	14	18	24	33
	Max		ton	20	28	36	50
	Suitable		ton	17	20	30	40

※ Above specifications are subject to change without prior notice for the improvement in quality.



# JBN SERIES

## External Valve Type



JBN745

JBN770

JBN800

JBN900

JBN1000

### HEAVY WEIGHT BREAKERS

#### External Valve type (With Accumulator)

Description		Model	Unit	JBN645	JBN745	JBN770	JBN800	JBN900	JBN1000	
Operating Weight (Tool + M / C)	Silenced		Kg	2,850	3,300	3,800	4,400	6,300	10,500	
			lb	6,283	7,275	8,378	9,700	13,889	23,149	
	Open Top		Kg	2,950	3,400	3,900	4,500	6,430	10,750	
			lb	6,504	7,496	8,598	9,921	14,176	23,700	
Main Body Weight			Kg	1,250	1,260	1,690	1,700	2,720	4,800	
Tool (MoiI type)	Weight		Kg	174	236	279	326	415	470	
	Diameter		mm	155	165	175	190	208	230	
Operating Pressure (Breaker)			bar	150 ~ 190	160 ~ 190	160 ~ 200	160 ~ 200	180 ~ 205	220 ~ 240	
			psi	2,134 ~ 2,702	2,276 ~ 2,702	2,276 ~ 2,845	2,276 ~ 2,845	2,610 ~ 2,973	3,190 ~ 3,480	
Setting Pressure (Machine)			bar	240	240	250	250	250	270	
			psi	3,480	3,480	3,625	3,625	3,625	3,915	
Impact Rate			bpm	300 ~ 500	300 ~ 500	250 ~ 500	250 ~ 500	170 ~ 220	140 ~ 170	
Accumulator Pressure (N2-Gas)			bar / psi	60 / 870						
Back Head Pressure (N2-Gas)			bar / psi	17 / 246	17 / 246	18 / 261	18 / 261	18 / 261	18 / 261	
			l / min	180 ~ 250	180 ~ 250	210 ~ 280	220 ~ 290	230 ~ 300	360 ~ 430	
Required Oil Flow			g / min	47.5 ~ 66	47.5 ~ 66	55 ~ 74	58 ~ 76.5	61 ~ 79	95 ~ 114	
	Suitable Excavator	Min	ton	33	33	45	45	55	70	
Max		ton	50	50	55	70	100	150		
Suitable		ton	40	40	50	55	70	100		

※ Above specifications are subject to change without prior notice for the improvement in quality.

# JBN SERIES

## Skid steer loader type

Brand new JAB Hydraulic Breaker for every brands of Skid Steer Loaders, come with mounting bracket for loader Will fit ASV, Bobcats, Cat, Case, Gehl, Komatsu, Mustang, Volvo, Thomas, Takeuchi, etc.

### Special Features

- High impact energy & Low noise level
- High performance ability
- Low maintenance cost
- Universal mounting frame



JBN70SL

JBN75SL

### LIGHT WEIGHT BREAKERS

#### Internal Valve type (Without Accumulator)

DESCRIPTION	Unit	JBN45SL	JBN53SL	JBN70SL	JBN75SL
Operating Weight	Kg / lbs	190 / 419	280 / 617	382 / 842	475 / 1,047
Tool Diameter	mm / inch	45 / 1.77	53 / 2.09	70 / 2.75	75 / 2.95
Impact Rate	bpm	700 ~ 1,200	600 ~ 1,100	450 ~ 1,000	475 ~ 950
Operating Pressure	bar / psi	80 ~ 100 / 1,160 ~ 1,450	90 ~ 120 / 1,305 ~ 1,740	95 ~ 130 / 1,377 ~ 1,885	100 ~ 140 / 1,450 ~ 2,030
Setting Pressure	bar / psi	150 / 2,175	150 / 2,175	170 / 2,465	180 / 2,610
Back Head Pressure	bar / psi	14 / 203	16 / 232	16 / 232	16 / 232
Required Oil Flow	lpm	20 ~ 35	25 ~ 50	34 ~ 60	40 ~ 80
Noise Level	lpm	85	86	87	88
Valve Ass'y Position		Internal	Internal	Internal	Internal

※ Above specifications are subject to change without prior notice for the improvement in quality.

## Backhoe loader type

All Backhoe Loaders type breaker utilize a streamlined and lightweight design that sets a new standard in low weight and high power.

### Special Features

- High performance ability with anti-wear resistance
- High efficient work by optimized control valve



JBN70BL

JBN75BL

### LIGHT WEIGHT BREAKERS

#### Internal Valve type (Without Accumulator)

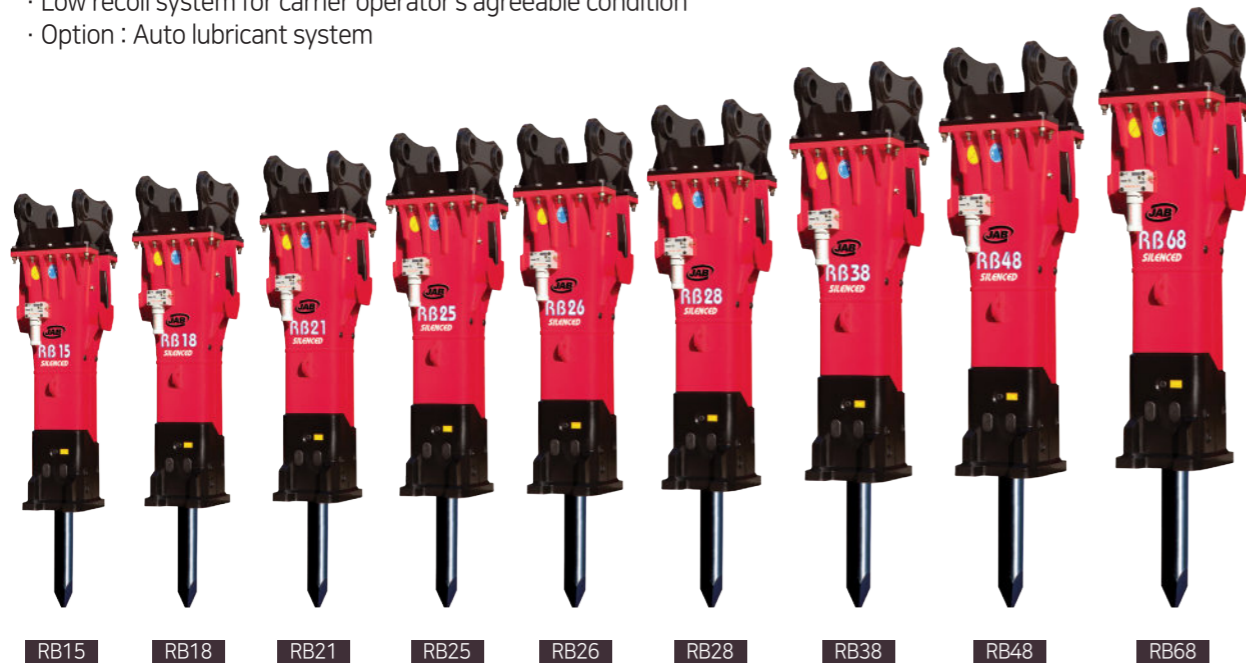
DESCRIPTION	Unit	JBN70BL	JBN75BL
Operating Weight	Kg / lbs	326 / 719	410 / 904
Tool Diameter	mm / inch	70 / 2.75	75 / 2.95
Impact Rate	bpm	450 ~ 1000	475 ~ 950
Operating Pressure	bar / psi	95 ~ 130 / 1,377 ~ 1,885	100 ~ 140 / 1,450 ~ 2,030
Setting Pressure	bar / psi	170 / 2,465	180 / 2,610
Back Head Pressure	bar / psi	16 / 232	16 / 232
Required Oil Flow	lpm	34 ~ 60	40 ~ 80
Valve Ass'y Position		Internal	Internal

※ Above specifications are subject to change without prior notice for the improvement in quality.

# RB SERIES

The production of JAB RB series breaker is based on many years of experience and the use of high quality material, which enables the equipment to resist the mechanical and thermic stress occurring under normal working conditions.

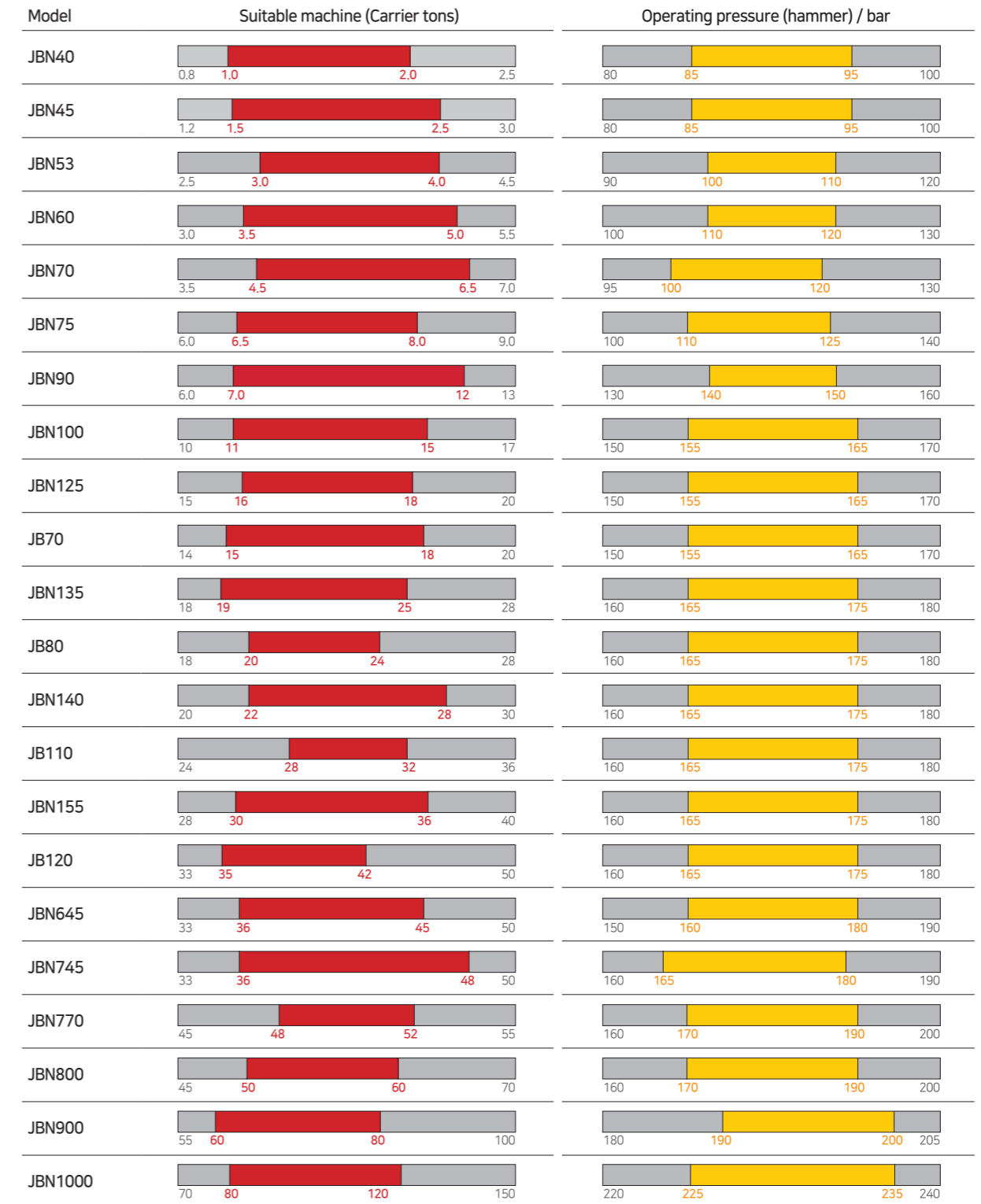
- Acceptable for large range of flow
- Wide carrier versatility
- Easy operation for not only operator but also carrier
- Decreasing maintenance cost with increasing life time by reducing friction of consumable parts
- Low recoil system for carrier operator's agreeable condition
- Option : Auto lubricant system



DESCRIPTION	Unit	RB15	RB18	RB21	RB25	RB26	RB28	RB38	RB48	RB68	
Operating Weight (Tool + M/T Cap)	Kg	1,123	1,500	1,874	1,910	1,920	2,396	3,006	3,920	4,682	
	lb	2,476	3,307	4,131	4,211	4,233	5,282	6,627	8,642	10,321	
Main Body Weight	Kg	446	630	830	830	830	1,006	1,299	1,720	2,208	
Tool Size [Diameter/ Weight]	mm	115	120	130	130	135	140	155	170	180	
	Kg	82	85	100	100	110	128	170	228	290	
Operating Pressure	bar	135 ~ 145	135 ~ 145	135 ~ 145	135 ~ 145	135 ~ 145	135 ~ 145	140 ~ 150	150 ~ 160	150 ~ 160	
	psi	1,957 ~ 2,100	1,957 ~ 2,100	1,957 ~ 2,100	1,957 ~ 2,100	1,957 ~ 2,100	1,957 ~ 2,100	2,030 ~ 2,175	2,175 ~ 2,320	2,175 ~ 2,320	
Setting Pressure (Machine)	bar	175	175	175	175	175	175	185	190	190	
	psi	2,538	2,538	2,538	2,538	2,538	2,538	2,683	2,756	2,756	
Impact Rate	bpm	350 ~ 550	400 ~ 500	350 ~ 500	350 ~ 500	350 ~ 500	350 ~ 520	320 ~ 420	300 ~ 400	250 ~ 350	
N2-Gas (Accumulator)	bar /psi	45 /652									
Back pressure	bar /psi	5 /72									
Required Oil Flow	l/min	70 ~ 110	110 ~ 150	120 ~ 160	120 ~ 160	120 ~ 160	160 ~ 230	170 ~ 240	190 ~ 250	220 ~ 350	
	g/min	18.5~29	29~40	31.~42.2	31.7~42.2	31.7~42.2	42.2~60.7	44.9~63.4	50.2~66	58.1~92.4	
Suitable Excavator	Min	ton /lbs	13/28,660	18/39,683	18/39,683	18/39,683	18/39,683	26/57,320	33/72,753	43/94,799	52/114,640
	Max	ton /lbs	20/44,092	25/55,116	30/66,139	30/66,139	30/66,139	38/83,776	48/105,822	63/138,891	75/165,347
	Suitable	ton /lbs	15/33,069	18/39,683	20/44,092	20/44,092	20/44,092	30/66,139	36/79,366	48/105,822	55/121,254

※ Above specifications are subject to change without prior notice for the improvement in quality.

# Suitable machine & Optimum operating pressure



\*Recommended suitable machine (Tons) ■ Best ■ POSSIBLE

\*Optimum operating pressure (Bar) ■ Best ■ POSSIBLE